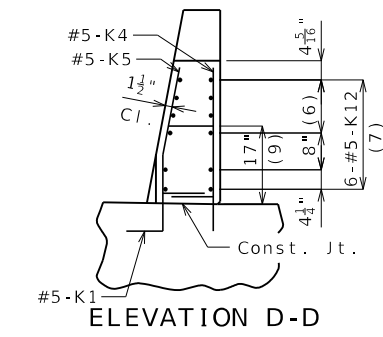
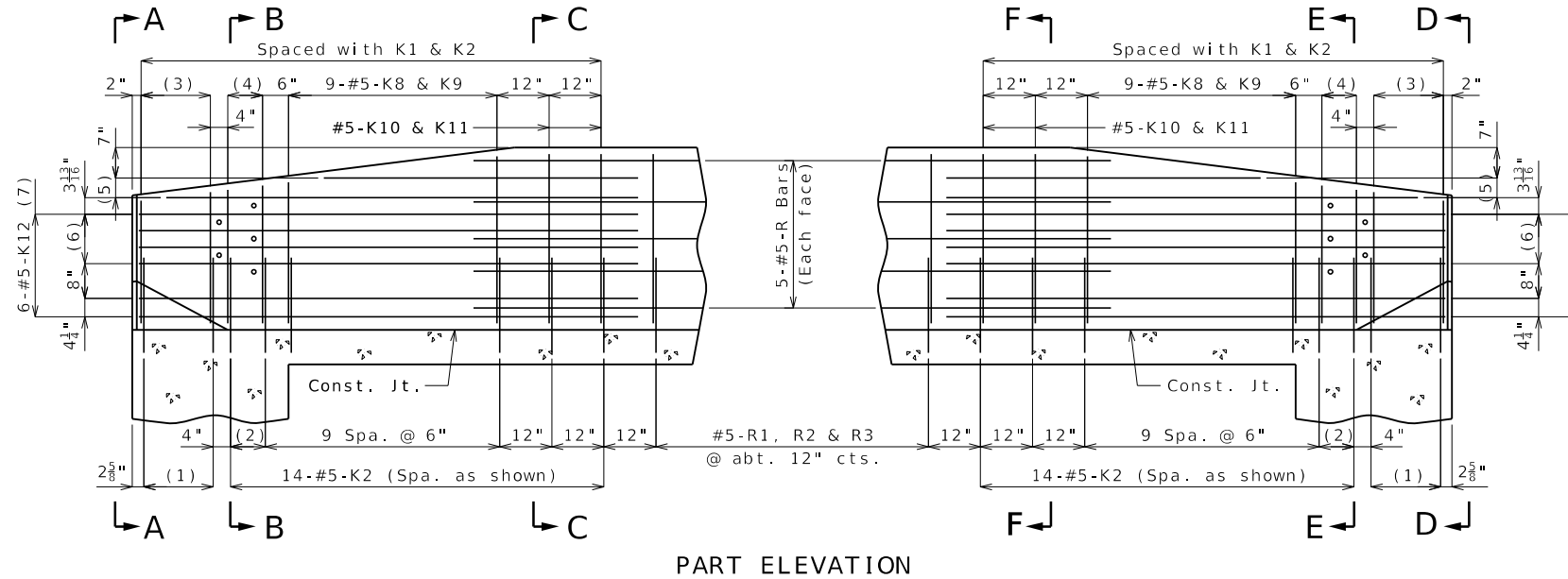
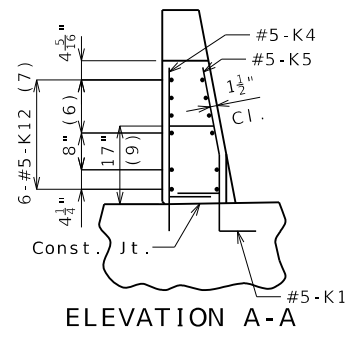


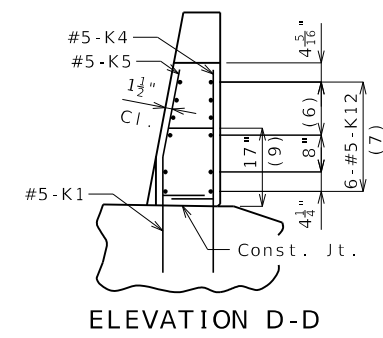
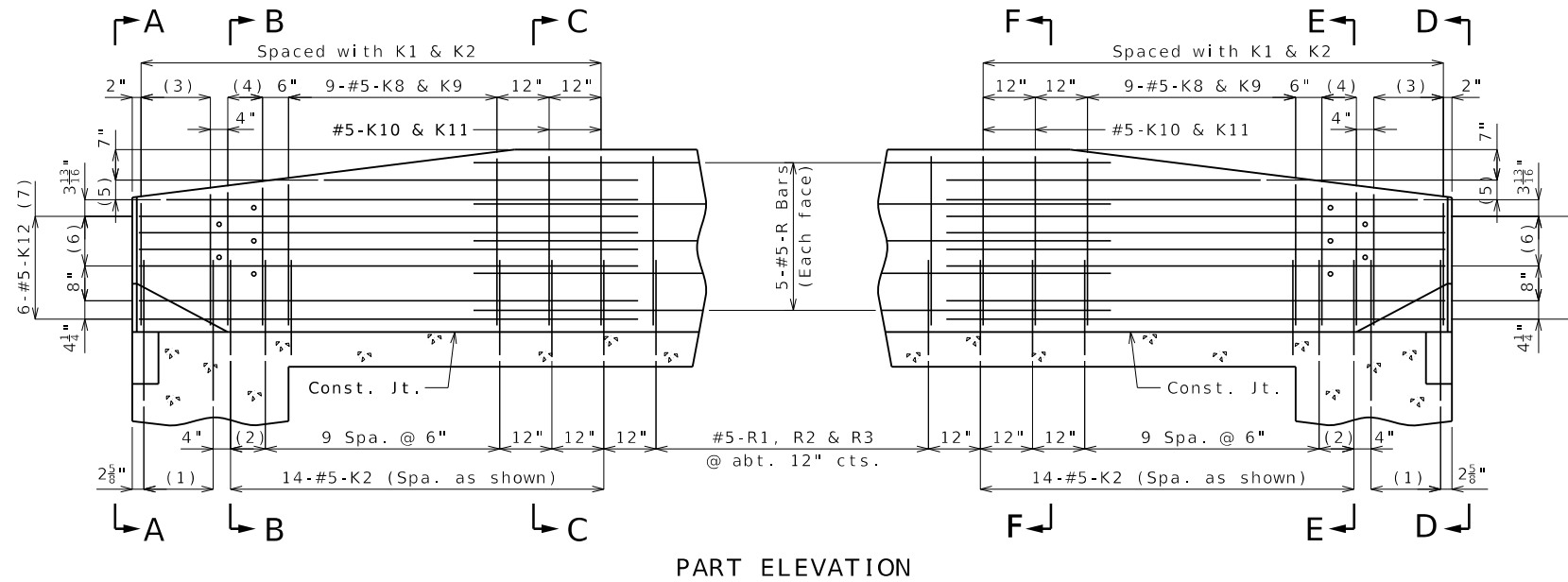
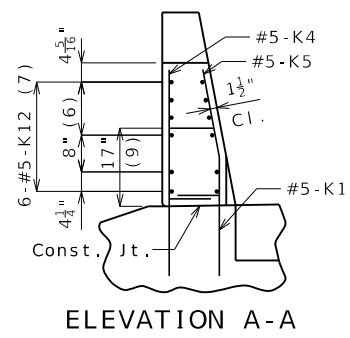


BAR05 Alternate Details

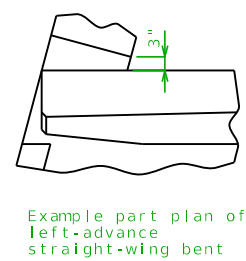
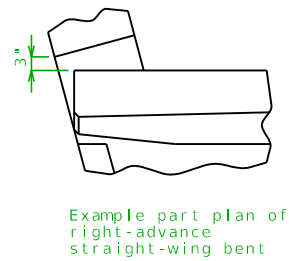
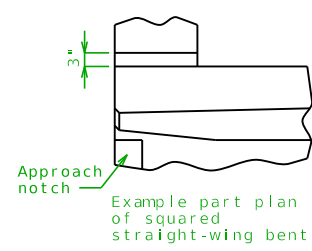


PART ELEVATION

New Bridge



PART ELEVATION



For K1 bars, use dimensions for integral end bent.

End Bents with straight wings (elephant ear)